

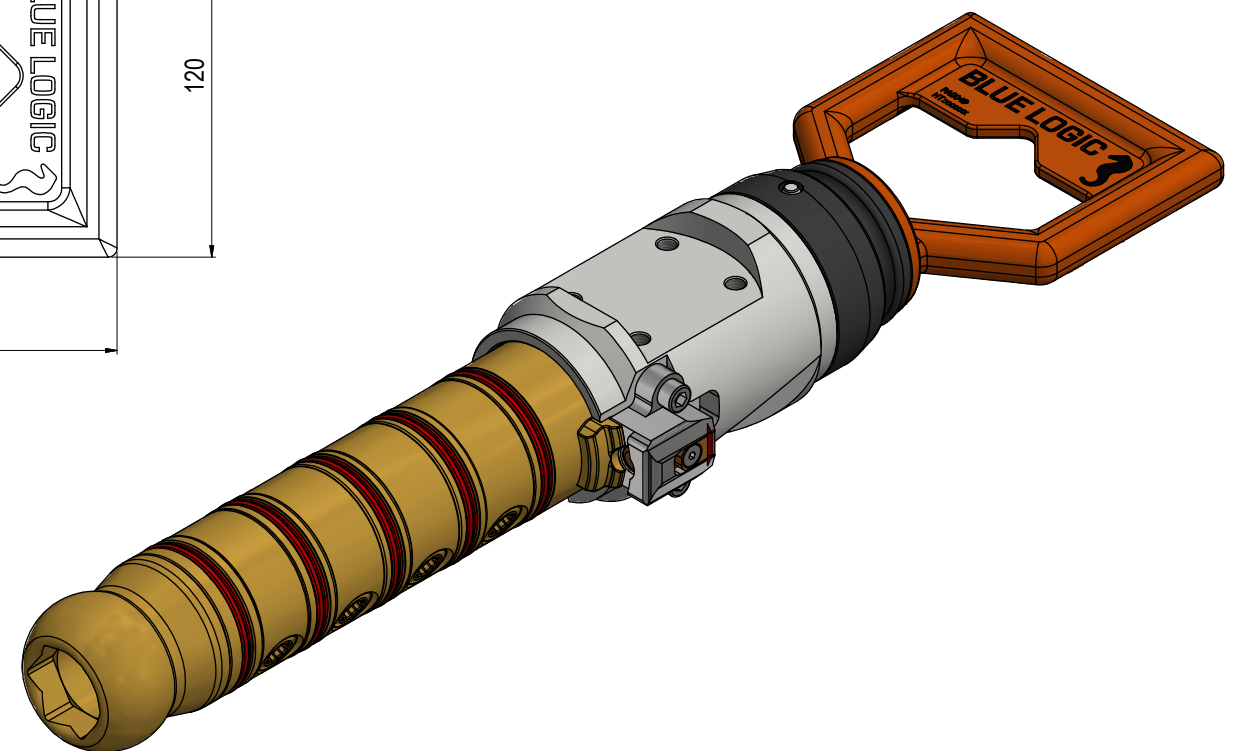
NOTE: 1
DESIGN CODE:
NS-EN 13445

NOTE: 2
TECHNICAL CLASSIFICATION:
Article Type: 003-Valve Stabs
Main Group: 3.03. Ø55-Valvestab
Intermediate Group: 3.12.01. Stab
Sub Group: 3.12.32.4. Quad

NOTE: 3
INTERFACE INFORMATION:
Pressure Rating Bar: 250
Material: Intervention
Weight: 7,3 kg
Volume: 1,03 dm³
Surface Area: 2685 cm²
Hydraulic: 3/8" BSP
Mechanical: N/A
Electrical: N/A
Com. & Protocol: N/A

NOTE: 4
SPAREPARTS:
BB1689

NOTE: 5
ADDITIONAL INFORMATION:
Usermanual: 600112-TD-0003



10	10.6.2024	9-IFU (Issued for Use)		WTJ	HNJ	WTJ
09	17.6.2020	9-IFU (Issued for Use)		WTJ	LGH	WTJ
08	17.1.2019	9-IFU (Issued for Use)		WTJ	LGH	WTJ
07	4.1.2019	9-IFU (Issued for Use)		WTJ	LGH	WTJ
Rev.	Date	Reason for issue	Revision change	Made	Chk'd	Appr.

BLUE LOGIC 

Dwg Scale:
NTS
Dwg Proj:
Dwg Format:
A3

Drawing title:
Ø55 QP VStab 250Bar Interv BSP 3/8"

Drawing number:
BA2392

Rev.
10